



LC035

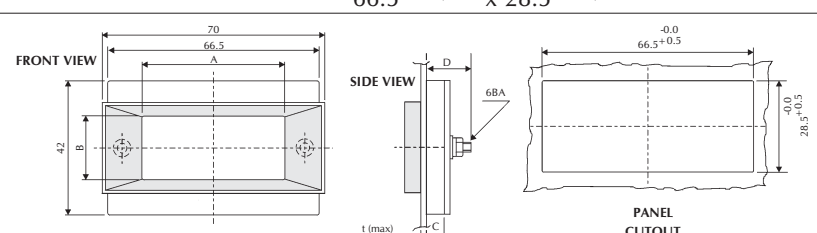


LC135

Specifications

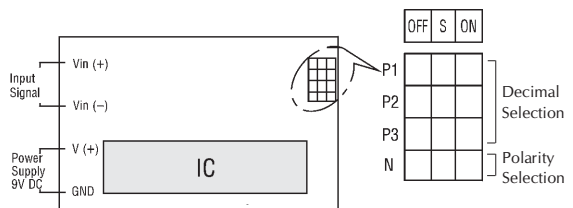
- **Measuring Method** 3 ½ Digit - Dual Slope A/D Conversion
- **Sampling Rate** 2.5 Samples per Second
- **Display Type** 12.4 mm/0.48" Digit Height LCD for LC035
14.2 mm/0.56" Digit Height Red LED for LC135
- **Maximum Display** 1999 Counts
- **Resolution** 0.001 to 1 Counts depending on the Range
- **Polarity Indication** " - " is Indicated for Negative Input
- **Decimal Selection** Field Selectable
- **Over Range Indication** " 1 " or " -1 "
- **Maximum Overload** Voltage : 1.2 times continuous
Current : 2 times continuous

- **VA Burden (Typical)** Auxiliary : < 20mVA (LCD) & < 1VA (LED)
Voltage : < 0.1VA, Current : < 0.25VA
- **Environment** Calibration : 27°C ± 5°C,
Operating : 0 to 50°C, RH < 70%
Storage : -10 to 60°C, RH < 70%
- **Mounting Bezel** Elegant ABS Bezel with 2 fixing screws and necessary hardware
- **Connectors** Header Pins on the PCB
- **Faceplate** Red Antiglare Lens - LED
LCD Glass - LCD
- **Display Stability** Within ± 2 Digits

Display / Digits (max.)		3½ Digits, 1999 Counts LCD	3½ Digits, 1999 Counts LED																		
Ranges	Models	LC035	LC135																		
DC	mV V µA mA	0 - 200 mV 0 - 2, 20, 200 V 0 - 200 µA 0 - 2, 20, 200 mA																			
Auxiliary Power Supply		Standard : 9VDC ± 10%	Standard : 5VDC ± 10%																		
Note : Power Supply must be Isolated. Supply Ground must not be connected to IN-LO Signal. Please ensure when a shunt is used, it must be connected on Ground / Common side of the load and not on the Supply side.																					
Accuracy (Specified at 27 ± 5°C)	V DC A DC	± 0.5% of Full Scale																			
Dimensions (mm)	Front	70 x 42																			
	Depth (Behind Panel)	15	21																		
	Panel Cut-Out Drawing	66.5 (+0.5, -0.0) x 28.5 (+0.5, -0.0)																			
																					
		<table border="1"> <thead> <tr> <th></th> <th>LC035</th> <th>LC135</th> </tr> </thead> <tbody> <tr> <td>A</td> <td>45</td> <td>50</td> </tr> <tr> <td>B</td> <td>20</td> <td>20</td> </tr> <tr> <td>C</td> <td>7.5</td> <td>10.3</td> </tr> <tr> <td>D</td> <td>15</td> <td>21</td> </tr> <tr> <td>t</td> <td>2</td> <td>2</td> </tr> </tbody> </table>			LC035	LC135	A	45	50	B	20	20	C	7.5	10.3	D	15	21	t	2	2
	LC035	LC135																			
A	45	50																			
B	20	20																			
C	7.5	10.3																			
D	15	21																			
t	2	2																			

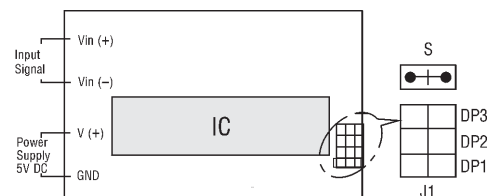
Ordering Information : Model, Input Range & Scale Display

Terminal Connection



- Short S and ON to display Decimal Point, Polarity Indicator.
- Short S and OFF to prevent display of Decimal Point, Polarity Indicator.

LC035



Short S to display corresponding Decimal Point.

LC135