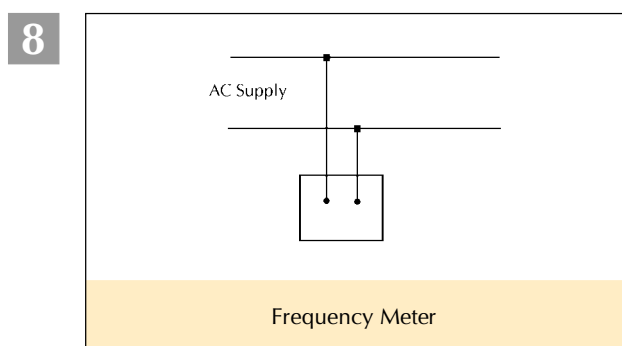
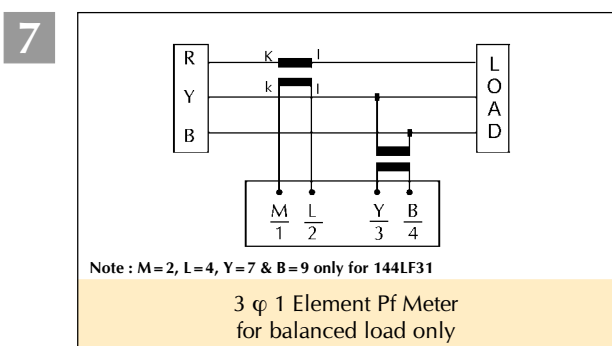
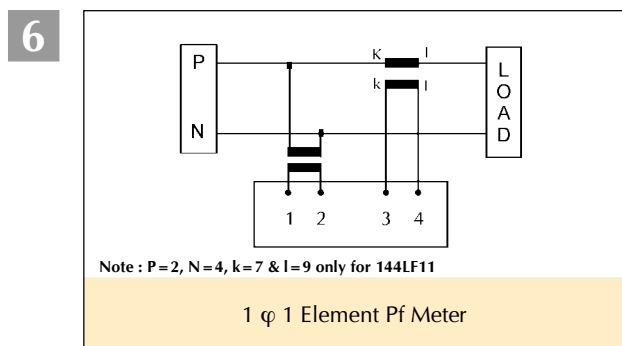
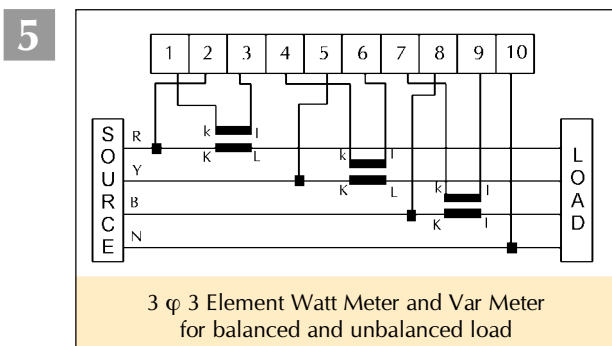
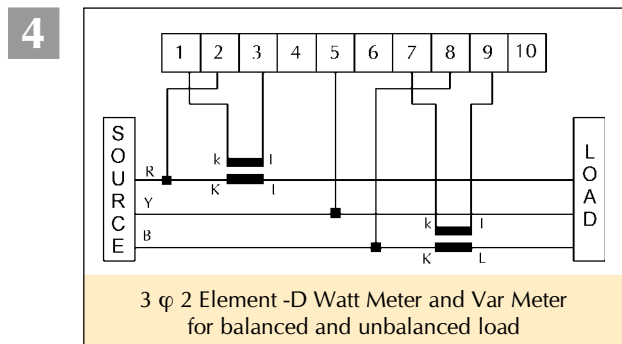
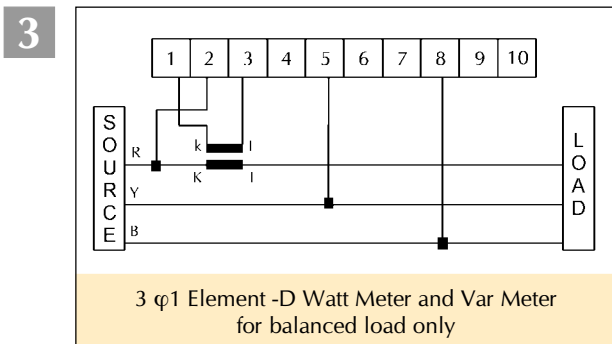
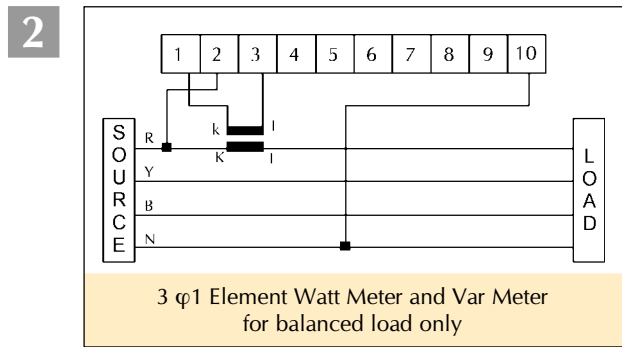
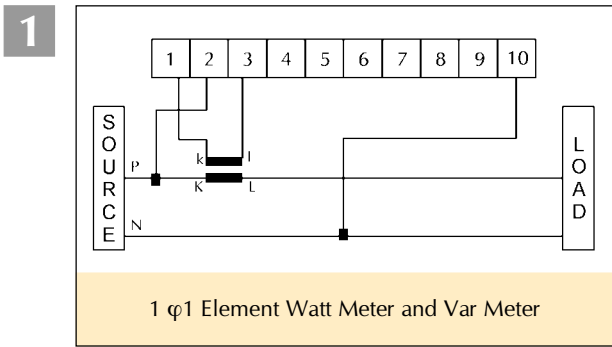


- Rated Accuracy : ± 1.5% of F.S. for Watt & Var Meter (standard)
- : ± 1.0% of F.S. for Watt & Var Meter(optional)
- : ± 3° Phase Angle for Powerfactor Meter
- : ± 1% of Full Scale for Frequency Meter
- Test Voltage : 2.5KVAC for 1 min. @ 50 Hz, 4KV AC (optional)
- Insulation Resistance : Over 20MΩ at 500V DC
- Power Supply : Self-Powered
- Casing : Size 72, 96, 144 ABS Case with Glass Front
- : Size 110 ABS Case with Clear Acrylic Cover
- Continuous Over Load : 1.2 Times Rated Current and 1.2 Times Rated Voltage

Deflection			90°			240°			
Size in mm			72x72	96x96	144x144	72x72	96x96	110x110	144x144
Scale Length (mm)			60	90	140	110	155	175	230
System	Current Range (Amp)	Voltage Range (Volt)							
			Watt Meters & Var Meters			Model Codes			
1 Phase 1 Element	1,5,10	63.5, 230	*72QW11	96QW11	144QW11	*72LW11	96LW11	*110LW11	144LW11
			*72QV11	96QV11	144QV11	*72LV11	96LV11	*110LV11	144LV11
3 Phase 1 Element Balance Load only	1,5,10	110, 440	*72QW31	96QW31	144QW31	*72LW31	96LW31	*110LW31	144LW31
			*72QV31	96QV31	144QV31	*72LV31	96LV31	*110LV31	144LV31
3 Phase 2 Element [3 Wire] Balance or Unbalance Load	1, 5	110, 440	*72QW32	96QW32	144QW32	*72LW32	96LW32	*110LW32	144LW32
			*72QV32	96QV32	144QV32	*72LV32	96LV32	*110LV32	144LV32
3 Phase 3 Element [4 Wire] Balance or Unbalance Load	1, 5	110/√3, 440/√3	*72QW33	96QW33	144QW33	*72LW33	96LW33	*110LW33	144LW33
			*72QV33	96QV33	144QV33	*72LV33	96LV33	*110LV33	144LV33
Powerfactor Meter & Phase Angle Meter									
Single Phase	1, 5	63.5, 230	*72QF11	96QF11	144QF11	*72LF11	96LF11	110LF11	144LF11
			*72QF31	96QF31	144QF31	*72LF31	96LF31	110LF31	144LF31
Frequency Meter									
40-60 Hz, 45-55 Hz, 45-65 Hz, 47-53 Hz, 80-120 Hz, 360-440 Hz		63.5, 110, 240, 440	F72	F96	F144	*FL72	FL96	FL110	FL144

Notes

- * These Meters supplied with DIN Series Power Line Transducers.
- Meters with dual scale / stamping can be supplied.
- Meters with centre zero or offset zero scale can be supplied.
- Rubber Gaskets for vibration protection available on request.
- Other Voltage and Current ranges available subject to technical feasibility.



Ordering Information

Please give the following details while ordering :

Model : _____
 Full Scale Range : _____
 CTR : _____
 Voltage (Ph-Ph or Ph-N) : _____
 PTR (if any) : _____
 Connection diagram number : _____

Example :

Model : 96QW32
 Full Scale Range : 0-6 MW
 CTR : 600/5A
 Voltage Ph-Ph : 110V AC
 PTR : 6.6KV/
 Connection diagram number : 4