



# 3½ and 4½ Digit Professional LCD / LED Modules



**GM035, DH035**



**GM135**



**GM045**

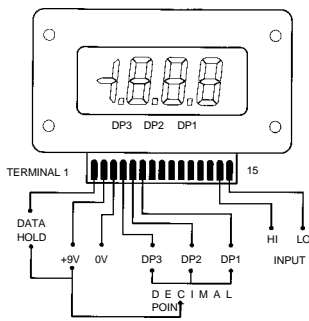
**Specifications**

- Measuring Method** 3½ Digit-Dual Slope A/D Conversion  
 4½ Digit-Successive Integration A/D Conversion
- Sampling Rate** 2.5 Samples per Second
- Display Type** 12.4 mm/0.48" Digit Height LCD for GM035, DH035  
 11.0 mm/0.43" Digit Height LCD for GM045  
 14.2 mm/0.56" Digit Height Red LED for GM135
- Maximum Display** 1999 counts for 3½ Digit Meters  
 19999 counts for 4½ Digit Meters
- Resolution** 0.001 to 1 count for 3½ depending on the range  
 0.0001 to 1 count for 4½ depending on the range
- Polarity Indication** "-" is indicated for negative input
- Decimal Selection** Field Selectable
- Over Range Ind.** "1" or "-1"
- Maximum Overload** Voltage : 1.2 times continuous  
 Current : 2 times continuous
- Low Batt. Indication** "LO BAT" in LCD Modules
- External Start Hold** Provided in Models DH035 and GM045
- VA Burden (Typical)** Auxiliary : < 20mVA (LCD) & < 1VA (LED)  
 Voltage Input : < 0.1VA  
 Current Input : < 0.25VA
- Environment** Calibration : 27°C ± 5°C,  
 Operating : 0 to 50°C, RH < 70%  
 Storage : -10 to 60°C, RH < 70%
- Mounting Bezel** Elegant Black ABS Bezel with 4 fixing screws and necessary hardware
- Connectors** PCB Edge Connector (Optional)
- Faceplate** Red Antiglare Lens - LED  
 LCD Glass - LCD

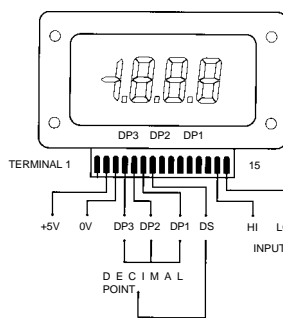
Display / Digits (max.)		3½ Digits, 1999 Counts		4½ Digits, 19999 Counts
Ranges	Models	GM035/DH035	GM135	GM045
DC	mV	0 - 200 mV		
	V	0 - 2, 20, 200 V		
	µA	0 - 200 µA		
	mA	0 - 2, 20, 200 mA		
<b>Auxiliary Power Supply</b>		<b>Standard :</b> 9VDC ± 10% for GM035, DH035 and GM045, 5VDC ± 10% for GM135 Note : Power Supply must be Isolated. Supply Ground must not be connected to IN-LO Signal. Please ensure when a shunt is used, it must be connected on Ground / Common side of the load and not on the Supply side.		
<b>Accuracy</b> <small>(Specified at 27 ± 5°C) ± (%rdg + dgt)</small>	V DC	(0.1 + 2)		(0.05 + 2)
	A DC	(0.2 + 2)		
<b>Dimensions (mm)</b>	Front	70.5 x 46		
	Depth (Behind Panel)	21		
	Panel Cut-Out	66.5 (+0.5, -0.0) x 28.5 (+0.5, -0.0)		
	Drawing			

**Ordering information :** Model, Input Range, Scale Display & Optionals

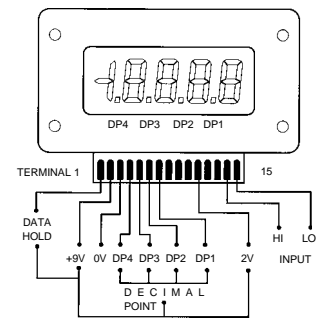
**Terminal Connection**



**GM035/DH035**



**GM135**



**GM045**



LC035



LC135

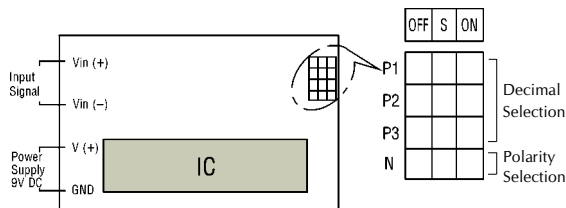
**Specifications**

- **Measuring Method** 3 ½ Digit - Dual Slope A/D Conversion
- **Sampling Rate** 2.5 Samples per Second
- **Display Type** 12.4 mm/0.48" Digit Height LCD for LC035  
14.2 mm/0.56" Digit Height Red LED for LC135
- **Maximum Display** 1999 Counts
- **Resolution** 0.001 to 1 Counts depending on the Range
- **Polarity Indication** " - " is Indicated for Negative Input
- **Decimal Selection** Field Selectable
- **Over Range Indication** " 1 " or " -1 "
- **Maximum Overload** Voltage : 1.2 times continuous  
Current : 2 times continuous
- **VA Burden (Typical)** Auxiliary : < 20mVA (LCD) & < 1VA (LED)  
Voltage Input : < 0.1VA  
Current Input : < 0.25VA
- **Environment** Calibration : 27°C ± 5°C,  
Operating : 0 to 50°C, RH < 70%  
Storage : -10 to 60°C, RH < 70%
- **Mounting Bezel** Elegant ABS Bezel with 2 fixing screws and necessary hardware
- **Connectors** Header Pins on the PCB
- **Faceplate** Red Antiglare Lens - LED  
LCD Glass - LCD

Display / Digits (max.)		3½ Digits, 1999 Counts LCD		3½ Digits, 1999 Counts LED																			
Ranges		LC035		LC135																			
DC	Models																						
	mV	0 - 200 mV																					
	V	0 - 2, 20, 200 V																					
	µA	0 - 200 µA																					
	mA	0 - 2, 20, 200 mA																					
Auxiliary Power Supply		Standard : 9VDC ± 10%		Standard : 5VDC ± 10%																			
Note : Power Supply must be Isolated. Supply Ground must not be connected to IN-LO Signal. Please ensure when a shunt is used, it must be connected on Ground / Common side of the load and not on the Supply side.																							
Accuracy (Specified at 27 ± 5°C)	V DC	± 0.5% of Full Scale																					
	A DC																						
Dimensions (mm)	Front	70 x 42																					
	Depth (Behind Panel)	15		21																			
	Panel Cut-Out Drawing	66.5 (+0.5, -0.0) x 28.5 (+0.5, -0.0)																					
				<table border="1"> <thead> <tr> <th></th> <th>LC035</th> <th>LC135</th> </tr> </thead> <tbody> <tr> <td>A</td> <td>45</td> <td>50</td> </tr> <tr> <td>B</td> <td>20</td> <td>20</td> </tr> <tr> <td>C</td> <td>7.5</td> <td>10.3</td> </tr> <tr> <td>D</td> <td>15</td> <td>21</td> </tr> <tr> <td>t</td> <td>2</td> <td>2</td> </tr> </tbody> </table>			LC035	LC135	A	45	50	B	20	20	C	7.5	10.3	D	15	21	t	2	2
	LC035	LC135																					
A	45	50																					
B	20	20																					
C	7.5	10.3																					
D	15	21																					
t	2	2																					

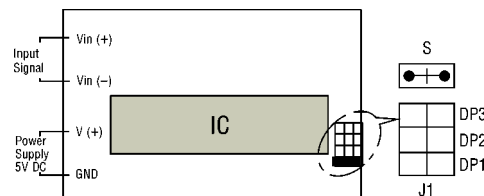
**Ordering information** : Model, Input Range, Scale Display & Optionals

**Terminal Connection**



- Short S and ON to display Decimal Point, Polarity Indicator.
- Short S and OFF to prevent display of Decimal Point, Polarity Indicator.

LC035



- Short S to display corresponding Decimal Point.

LC135